

Product Details

Magnifying Mirrors Lighted

Lumina

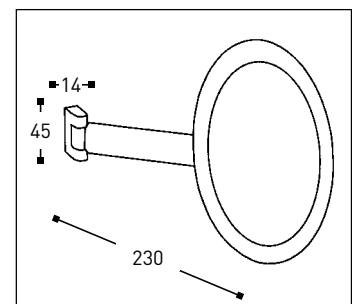
LED INTERFACE



- Battery powered
- Auto on/off by infrared sensor operational to 20 cm
- After use auto-shut-off after 15 sec.
- 4 x AA rechargeable or dry batteries (not included) about 3 months without recharge or replacement
- Low power indicator
- SMD-LED-lighting, warm white light, 3500-4000 K
- Maintenance free LEDs - 50.000 hours lifespan
- 3x magnification
- Translucent acrylic frame
- Single arm with full pivotal adjustments



Code	Version	
020796	chrom	ø 220 mm



Cleaning Instructions - Magnifying Mirrors:

- **Mirror Lens**
Wipe down with a light solution of soap suds. Do NOT use sponges or cloths that may damage the surface. Wipe with a damp cloth. Polish with a dry soft cotton cloth.
- **Chrome Trim & Arms**
Do NOT use any cleaners containing acids, ammonia or abrasives. The use of such products even in a diluted form may damage the finish.

ALISEO GmbH · Leutkirchstraße 63 · 77723 Gengenbach

Tel. +49 (0) 7803-60279-0

Fax +49 (0) 7803-60279-30

E-Mail: info@aliseo.de · Internet: www.aliseo.de

ALISEO GmbH
G E R M A N Y